

For all building materials. for loads from 5 kg to 25 kg.



BUILDING MATERIALS

- Concrete
- Gypsum plasterboard and gypsum fibreboards
- Vertically perforated brick
- Hollow block made from lightweight concrete
- Cavity floor slabs made of brick, concrete, etc.
- Perforated sand-lime brick
- Solid sand-lime brick
- Natural stone
- Aerated concrete
- Chipboard
- Solid panel made from gypsum
- Solid brick made from lightweight concrete
- Solid brick

APPROVALS



ADVANTAGES

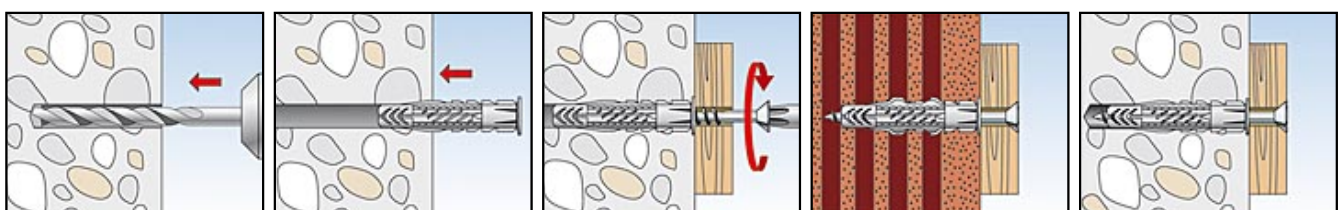
- The universal operating principle (knotting or expanding) allows for use in all solid, hollow and board building materials. Thus the UX is the correct choice for unknown base materials.
- The UX's angled connection ridges allow for optimum screw guidance. Serrated anti-rotation locks prevent rotation in the drill hole. This guarantees the greatest possible installation safety.
- Fixing sets with screws, eye screws and hooks provide the right solution for all applications.

APPLICATIONS

- Pictures
- Lighting
- Skirting
- Wall cabinets
- Towel rails
- Mirror cabinets
- Curtain rails
- Wash basin fixings
- TV consoles
- Plumbing and heating fixings

FUNCTIONING

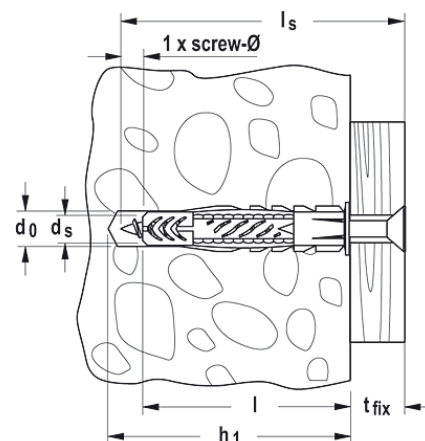
- The UX with rim is suitable for pre-positioned installation; the UX without rim is suitable for push-through installation.
- Turning in the screw causes the UX to expand in the solid building material and to knot within the cavity.
- The required screw length is given by the plug length + fixture thickness + 1 x screw diameter.
- Suitable for wood and chipboard screws, as well as stud screws.
- In the case of board building materials, the threadless part of the screw must not be longer than the fixture, and the UX with rim is to be used.
- The edge distance must be at least one plug length.



TECHNICAL DATA



Universal plug UX



Article name	Art.-No.	Card contents	Folded box	Languages on card
UX 5 x 30 K	097854	20 x UX 5 x 30		D, GB, F, NL, E, I
UX 5 x 30 RK	097855	20 x UX 5 x 30 with collar		D, GB, F, NL, E, I
UX 6 x 35 RK	077851	20 x UX 6 x 35 with collar		D, GB, F, NL, E, I
UX 6 x 50 K	077846	20 x UX 6 x 50		D, GB, F, NL, E, I
UX 6 x 50 RK	077852	20 x UX 6 x 50 with collar		D, GB, F, NL, E, I
UX 8 x 50 K	077847	10 x UX 8 x 50		D, GB, F, NL, E, I
UX 8 x 50 RK	077853	10 x UX 8 x 50 with collar		D, GB, F, NL, E, I
UX 10 x 60 K	077848	6 x UX 10 x 60		D, GB, F, NL, E, I
UX 10 x 60 RK	077854	6 x UX 10 x 60 with collar		D, GB, F, NL, E, I
UX 12 x 70 K	077849	4 x UX 12 x 70		D, GB, F, NL, E, I
UX 14 x 75 K	077850	2 x UX 14 x 75		D, GB, F, NL, E, I
UX 10 x 60 K	090507	6 x UX 10 x 60		DK, S, N, FIN, EST, LV, LT, RUS
UX 10 x 60 RK	090517	6 x UX 10 x 60 with collar		DK, S, N, FIN, EST, LV, LT, RUS
UX 6 x 35 RK	090512	20 x UX 6 x 35 with collar		DK, S, N, FIN, EST, LV, LT, RUS
UX 6 x 50 K	090505	20 x UX 6 x 50		DK, S, N, FIN, EST, LV, LT, RUS
UX 6 x 50 RK	090514	20 x UX 6 x 50 with collar		DK, S, N, FIN, EST, LV, LT, RUS
UX 8 x 50 K	090506	10 x UX 8 x 50		DK, S, N, FIN, EST, LV, LT, RUS
UX 8 x 50 RK	090516	10 x UX 8 x 50 with collar		DK, S, N, FIN, EST, LV, LT, RUS
UX 5 x 30 K	503806	20 x UX 5 x 30		
UX 5 x 30 RK	503807	20 x UX 5 x 30		
UX 6 x 35 RK	090868	20 x UX 6 x 35 with collar		BG, CZ, H, PL, RO, RUS, SK, UA, HR, SLO
UX 6 x 50 K	090863	20 x UX 6 x 50		BG, CZ, H, PL, RO, RUS, SK, UA, HR, SLO
UX 6 x 50 RK	090869	20 x UX 6 x 50 with collar		BG, CZ, H, PL, RO, RUS, SK, UA, HR, SLO
UX 8 x 50 K	090864	10 x UX 8 x 50		BG, CZ, H, PL, RO, RUS, SK, UA, HR, SLO
UX 8 x 50 RK	090870	10 x UX 8 x 50 with collar		BG, CZ, H, PL, RO, RUS, SK, UA, HR, SLO
UX 10 x 60 K	090865	6 x UX 10 x 60		BG, CZ, H, PL, RO, RUS, SK, UA, HR, SLO
UX 10 x 60 RK	090871	6 x UX 10 x 60 with collar		BG, CZ, H, PL, RO, RUS, SK, UA, HR, SLO
UX 12 x 70 K	090866	4 x UX 12 x 70		BG, CZ, H, PL, RO, RUS, SK, UA, HR, SLO
UX 14 x 75 K	090867	2 x UX 14 x 75		BG, CZ, H, PL, RO, RUS, SK, UA, HR, SLO

LASTEN

Universaldübel UX

Höchste empfohlene Lasten¹⁾ eines Einzeldübels.

Lastwerte gelten bei Verwendung von Holzschrauben mit den angegebenen Durchmessern

Typ		UX5	UX6	UX6 x 50	UX8	UX10	UX12	UX14
Schraubendurchmesser	Ø [mm]	4	5	5	6	8	10	12
Empfohlene Last im jeweiligen Baustoff F_{empf}²⁾								
Beton	≥ C20/25 [kN]	0,30	0,40	0,60	0,60	1,00	1,50	1,80
Vollziegel	≥ Mz 12 [kN]	0,20	0,20	0,30	0,30	0,50	0,70	0,80
Kalksandlochstein	≥ KSL 12 [kN]	0,30	0,40	0,40	0,50	0,60	0,80	0,80
Hochlochziegel	≥ Hlz 12 [kN]	0,20	0,20	0,20	0,20	0,20	0,30	0,40
Porenbeton	≥ PB4, PP4 (G4) [kN]	0,15	0,20	0,20	0,30	0,40	0,60	0,70
Gipskartonplatte	12,5 mm [kN]	0,10	0,10	0,10	0,10	0,10	-	-
Gipskartonplatte	25 mm [kN]	0,10	0,15	0,15	0,15	0,15	-	-
Gipsfaserplatte	(Fermacell) [kN]	0,20	0,20	0,20	0,20	0,25	-	-
Gipsbauplatte	ρ ≥ 0,9 kg/dm ³ [kN]	-	-	-	0,15	0,35	0,45	0,50

¹⁾ Beinhaltet den Sicherheitsfaktor 7.

²⁾ Gültig für Zuglast, Querlast und Schrägzug unter jedem Winkel.