

## The nylon plug for all building materials



### BUILDING MATERIALS

- Concrete
- Gypsum plasterboard and gypsum fibreboards
- Vertically perforated brick
- Hollow block made from lightweight concrete
- Cavity floor slabs made of brick, concrete, etc.
- Perforated sand-lime brick
- Solid sand-lime brick
- Natural stone
- Aerated concrete
- Chipboard
- Solid panel made from gypsum
- Solid brick made from lightweight concrete
- Solid brick

### APPROVALS



### ADVANTAGES

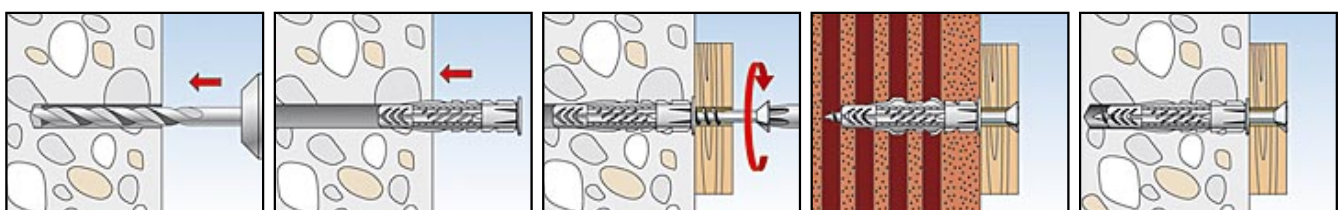
- The universal operating principle (knotting or expanding) allows for use in all solid, hollow and board building materials. Thus the UX is the correct choice for unknown base materials.
- The UX's angled connection ridges allow for optimum screw guidance. Serrated anti-rotation locks prevent rotation in the drill hole. This guarantees the greatest possible installation safety.
- Fixing sets with screws, eye screws and hooks provide the right solution for all applications.

### APPLICATIONS

- Pictures
- Lighting
- Skirting
- Wall cabinets
- Towel rails
- Mirror cabinets
- Curtain rails
- Wash basin fixings
- TV consoles
- Plumbing and heating fixings

### FUNCTIONING

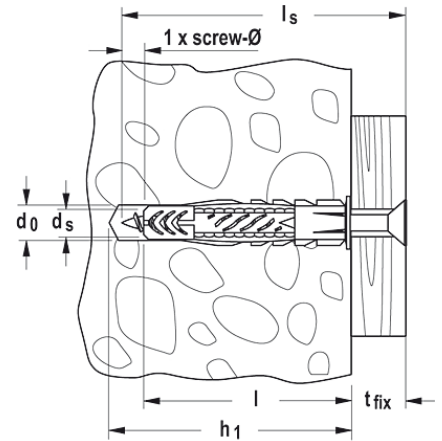
- The UX with rim is suitable for pre-positioned installation; the UX without rim is suitable for push-through installation.
- Turning in the screw causes the UX to expand in the solid building material and to knot within the cavity.
- The required screw length is given by the plug length + fixture thickness + 1x screw diameter.
- Suitable for wood and chipboard screws, as well as stud screws.
- In the case of board building materials, the threadless part of the screw must not be longer than the fixture, and the UX with rim is to be used.
- The edge distance must be at least one plug length.



## TECHNICAL DATA



Universal plug UX



| Article name    | Art.-No. | Drill hole diameter<br>$d_0$<br>[mm] | Min. drill hole depth<br>$h_1$<br>[mm] | Anchor length<br>$l$<br>[mm] |
|-----------------|----------|--------------------------------------|--|------------------------------|
| UX 5 x 30       | 094721   | 5                                    | 40                                     | 30                           |
| UX 5 x 30 R     | 094722   | 5                                    | 40                                     | 30                           |
| UX 6 x 35       | 062754   | 6                                    | 45                                     | 35                           |
| UX 6 x 35 R     | 062756   | 6                                    | 45                                     | 35                           |
| UX 6 x 35R S/20 | 094758   | 6                                    | 60                                     | 35                           |
| UX 6 x 50       | 072094   | 6                                    | 60                                     | 50                           |
| UX 6 x 50 R     | 072095   | 6                                    | 60                                     | 50                           |
| UX 6 x 50R S/20 | 094759   | 6                                    | 75                                     | 50                           |
| UX 8 x 40 R     | 505483   | 8                                    | 50                                     | 40                           |
| UX 8 x 50       | 077869   | 8                                    | 60                                     | 50                           |
| UX 8 x 50 R     | 077870   | 8                                    | 60                                     | 50                           |
| UX 8 x 50R S/15 | 094762   | 8                                    | 70                                     | 50                           |
| UX 8 x 50R S/25 | 094760   | 8                                    | 80                                     | 50                           |
| UX 10 x 60      | 077871   | 10                                   | 75                                     | 60                           |
| UX 10 x 60 R    | 077872   | 10                                   | 75                                     | 60                           |
| UX 10 x 60 S/20 | 094761   | 10                                   | 85                                     | 60                           |
| UX 12 x 70      | 062758   | 12                                   | 85                                     | 70                           |
| UX 14 x 75      | 062757   | 14                                   | 95                                     | 75                           |

## LASTEN

### Universaldübel UX

Höchste empfohlene Lasten<sup>1)</sup> eines Einzeldübels.

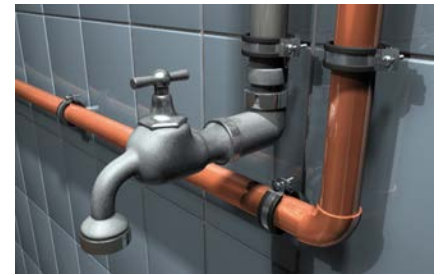
Lastwerte gelten bei Verwendung von Holzschrauben mit den angegebenen Durchmessern

| Typ   |                                 | UX5  | UX6  | UX6 x 50 | UX8  | UX10 | UX12 | UX14 |
|---|---------------------------------|------|------|----------|------|------|------|------|
| Schraubendurchmesser  | Ø [mm]                          | 4    | 5    | 5        | 6    | 8    | 10   | 12   |
| <b>Empfohlene Last im jeweiligen Baustoff F<sub>empf</sub><sup>2)</sup></b> |                                 |      |      |          |      |      |      |      |
| Beton   | ≥ C20/25 [kN]                   | 0,30 | 0,40 | 0,60     | 0,60 | 1,00 | 1,50 | 1,80 |
| Vollziegel  | ≥ Mz 12 [kN]                    | 0,20 | 0,20 | 0,30     | 0,30 | 0,50 | 0,70 | 0,80 |
| Kalksandlochstein   | ≥ KSL 12 [kN]                   | 0,30 | 0,40 | 0,40     | 0,50 | 0,60 | 0,80 | 0,80 |
| Hochlochziegel  | ≥ Hlz 12 [kN]                   | 0,20 | 0,20 | 0,20     | 0,20 | 0,20 | 0,30 | 0,40 |
| Porenbeton  | ≥ PB4, PP4 (G4) [kN]            | 0,15 | 0,20 | 0,20     | 0,30 | 0,40 | 0,60 | 0,70 |
| Gipskartonplatte  | 12,5 mm [kN]                    | 0,10 | 0,10 | 0,10     | 0,10 | 0,10 | -    | -    |
| Gipskartonplatte  | 25 mm [kN]                      | 0,10 | 0,15 | 0,15     | 0,15 | 0,15 | -    | -    |
| Gipsfaserplatte   | (Fermacell) [kN]                | 0,20 | 0,20 | 0,20     | 0,20 | 0,25 | -    | -    |
| Gipsbauplatte   | ρ ≥ 0,9 kg/dm <sup>3</sup> [kN] | -    | -    | -        | 0,15 | 0,35 | 0,45 | 0,50 |

<sup>1)</sup> Beinhaltet den Sicherheitsfaktor 7.

<sup>2)</sup> Gültig für Zuglast, Querlast und Schrägzug unter jedem Winkel.

## The nylon plug for all building materials



### BUILDING MATERIALS

- Concrete
- Gypsum plasterboard and gypsum fibreboards
- Vertically perforated brick
- Hollow block made from lightweight concrete
- Cavity floor slabs made of brick, concrete, etc.
- Perforated sand-lime brick
- Solid sand-lime brick
- Natural stone
- Aerated concrete
- Chipboard
- Solid panel made from gypsum
- Solid brick made from lightweight concrete
- Solid brick

### APPROVALS



### ADVANTAGES

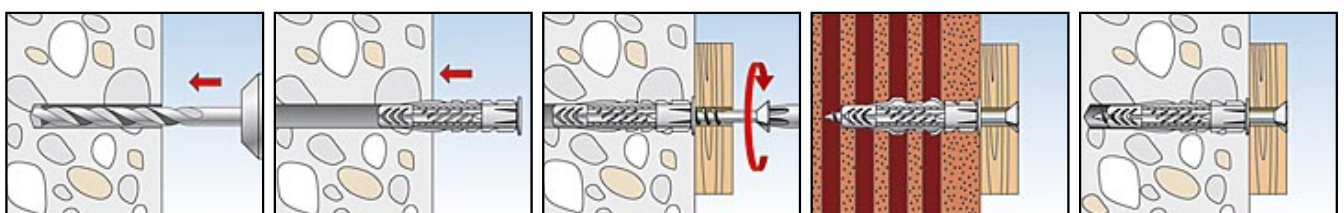
- The universal operating principle (knotting or expanding) allows for use in all solid, hollow and board building materials. Thus the UX is the correct choice for unknown base materials.
- The UX's angled connection ridges allow for optimum screw guidance. Serrated anti-rotation locks prevent rotation in the drill hole. This guarantees the greatest possible installation safety.
- Fixing sets with screws, eye screws and hooks provide the right solution for all applications.

### APPLICATIONS

- Pictures
- Lighting
- Skirting
- Wall cabinets
- Towel rails
- Mirror cabinets
- Curtain rails
- Wash basin fixings
- TV consoles
- Plumbing and heating fixings

### FUNCTIONING

- The UX with rim is suitable for pre-positioned installation; the UX without rim is suitable for push-through installation.
- Turning in the screw causes the UX to expand in the solid building material and to knot within the cavity.
- The required screw length is given by the plug length + fixture thickness + 1x screw diameter.
- Suitable for wood and chipboard screws, as well as stud screws.
- In the case of board building materials, the threadless part of the screw must not be longer than the fixture, and the UX with rim is to be used.
- The edge distance must be at least one plug length.



## TECHNICAL DATA



Universal plug UX with hook

| Article name          | Art.-No.      | Min. drill hole depth<br>$h_1$<br>[mm] | Min. panel thickness<br>$d_p$<br>[mm] | Anchor length<br>$l$<br>[mm] |
|-----------------------|---------------|--|---------------------------------------|------------------------------|
| <b>UX 6 x 35 RH</b>   | <b>094407</b> | 45                                     | 9,5                                   | 35                           |
| <b>UX 6 x 35 WH</b>   | <b>094408</b> | 45                                     | 9,5                                   | 35                           |
| <b>UX 8 x 50 RH</b>   | <b>094409</b> | 60                                     | 9,5                                   | 50                           |
| <b>UX 8 x 50 WH</b>   | <b>094410</b> | 60                                     | 9,5                                   | 50                           |
| <b>UX 8 x 50 OH N</b> | <b>094414</b> | 60                                     | 9,5                                   | 50                           |
| <b>UX 8 x 50 RH N</b> | <b>094412</b> | 60                                     | 9,5                                   | 50                           |
| <b>UX 8 x 50 WH N</b> | <b>094413</b> | 60                                     | 9,5                                   | 50                           |

## LASTEN

### Universaldübel UX mit Haken- und Ösenschrauben

Höchste empfohlene Lasten<sup>1)</sup> eines Einzeldübels.

Lastwerte gelten bei Verwendung der mitgelieferten Haken- und Ösenschrauben.

| Typ   |          |      | UX6 RH | UX6 WH | UX8 RH | UX8 WH | UX8 OE |
|---|----------|------|--------|--------|--------|--------|--------|
| <b>Empfohlene Last im jeweiligen Baustoff F<sub>empf</sub><sup>2)</sup></b> |          |      |        |        |        |        |        |
| Beton   | ≥ C20/25 | [kN] | 0,25   | 0,30   | 0,40   | 0,45   | 0,40   |
| Hochlochziegel  | ≥ Mz 12  | [kN] | 0,20   | 0,20   | 0,20   | 0,20   | 0,20   |
| Gipskartonplatte  | 12,5 mm  | [kN] | 0,05   | 0,05   | 0,05   | 0,05   | 0,05   |

<sup>1)</sup> Beinhaltet den Sicherheitsfaktor 4 (Haken biegt auf).

<sup>2)</sup> Gültig für Zuglast, Querlast und Schrägzug unter jedem Winkel.